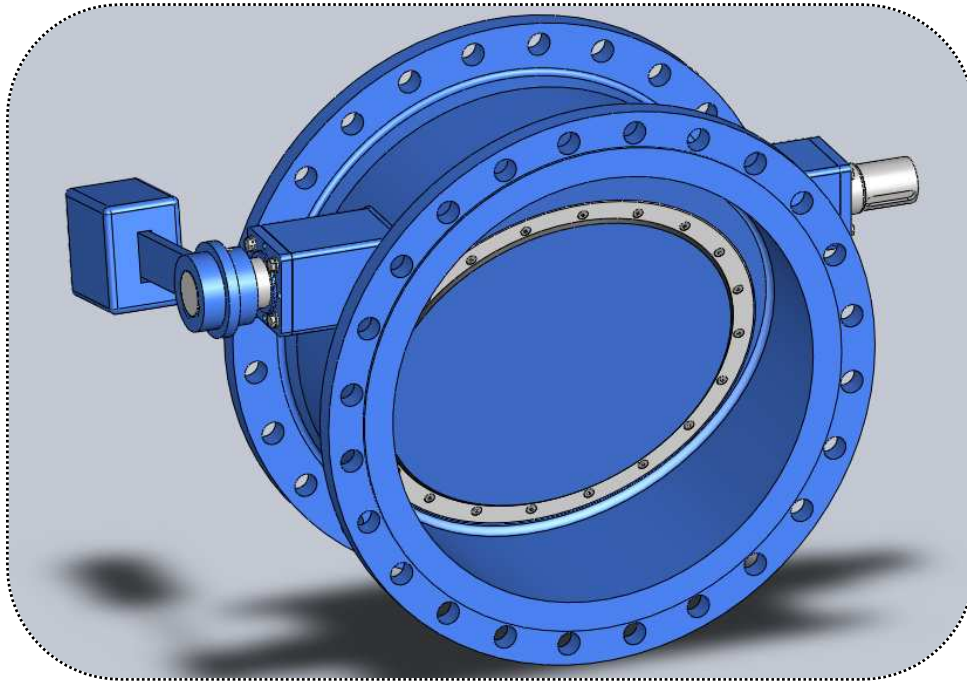


SLANTED TYPE CHECK VALVE



It is a type of check valve which consists of a cylindrical body, a disc inside it, a shaft that holds the disc, a counter lever and weight. It is a type which needs less installation space.

Even it is fully open, disc is located on flow path. This is the reason why it cannot be used in sewage media, but can be used only in clean water.

Tilting check valves are used at outlet side of pumps.

When flow begins, disc is pushed forward by effect of flow. Flow continues its travel in direction of pumping.

When pump begins to slow down to stop, disc begins to close. Check valve closes automatically by assistance of back flow and counter weight which is connected to shaft by counter lever. Its closure prevents the water in the pipe line to flow reversely.

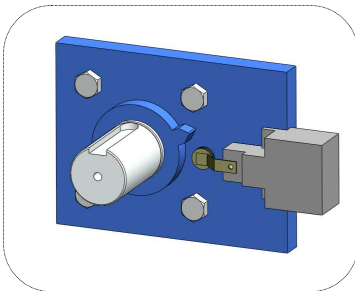
As a result of special geometry, seat provides shorter operation stroke. Two important advantages are gained. Firstly, distance from open position to close position is shortened; closure is completed in a shorter time. Secondly, projection area of disc is smaller than its real area at the point of closure. For that reason, forces acting on disc towards closed position are less. That means less vibration, noise and shock.

Opening angle of disc must not exceed 80 degrees. If it exceeds, in case of a mechanical tightness, flow moves under the disc and required forces for closure cannot occur. Reverse flow begins; pump starts to turn reverse direction. Serious damage may take place.

Installation Position,

Valve should be installed as shaft in horizontal position.

Accessories

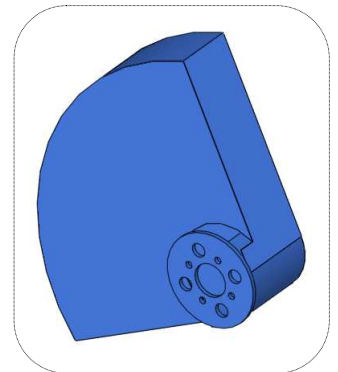


Mechanical Limit Switch,

A cam, which is fixed on shaft of check valve, rotates as the disc flaps. When disc closes, cam hits on switch. Switch sends signal to panel at operation room to notify closed position of disc.

Mesh Guard,

It is a protective accessory for the things around the valve against sudden movement of counter lever and weight under operation.



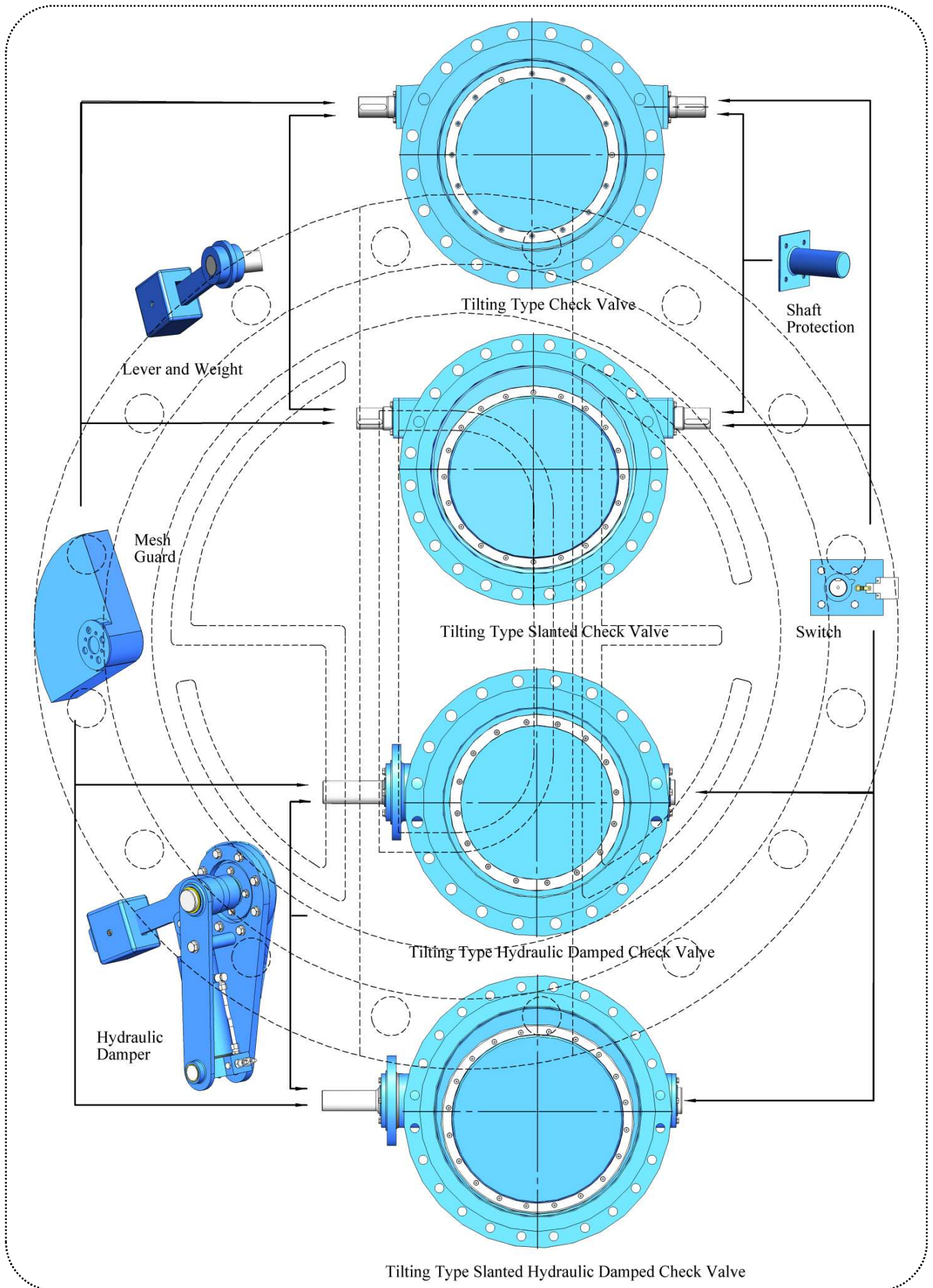
Shaft Protection,

It is a steel pipe to protect open-end of valve shaft from any damage.

Maintenance,

There is no need for maintenance for these valves that are installed especially in clean water pipe-line. If valve is uninstalled, it is recommended to check disc ring (rubber ring), o-rings and change if necessary.

ACCESSORIES OF TILTING and SLANTED TYPE CHECK VALVES

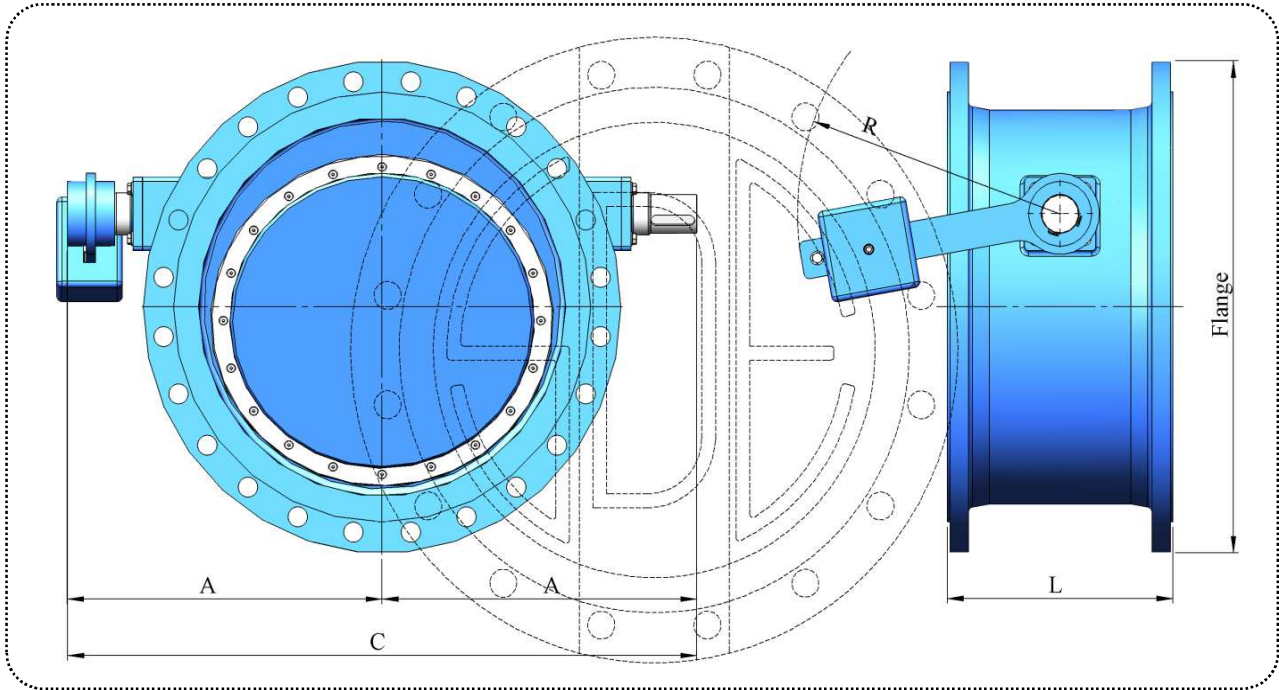


SLANTED TYPE CHECK VALVE

Body Length Standard : EN 558-1, S 14

Valve Standard : -

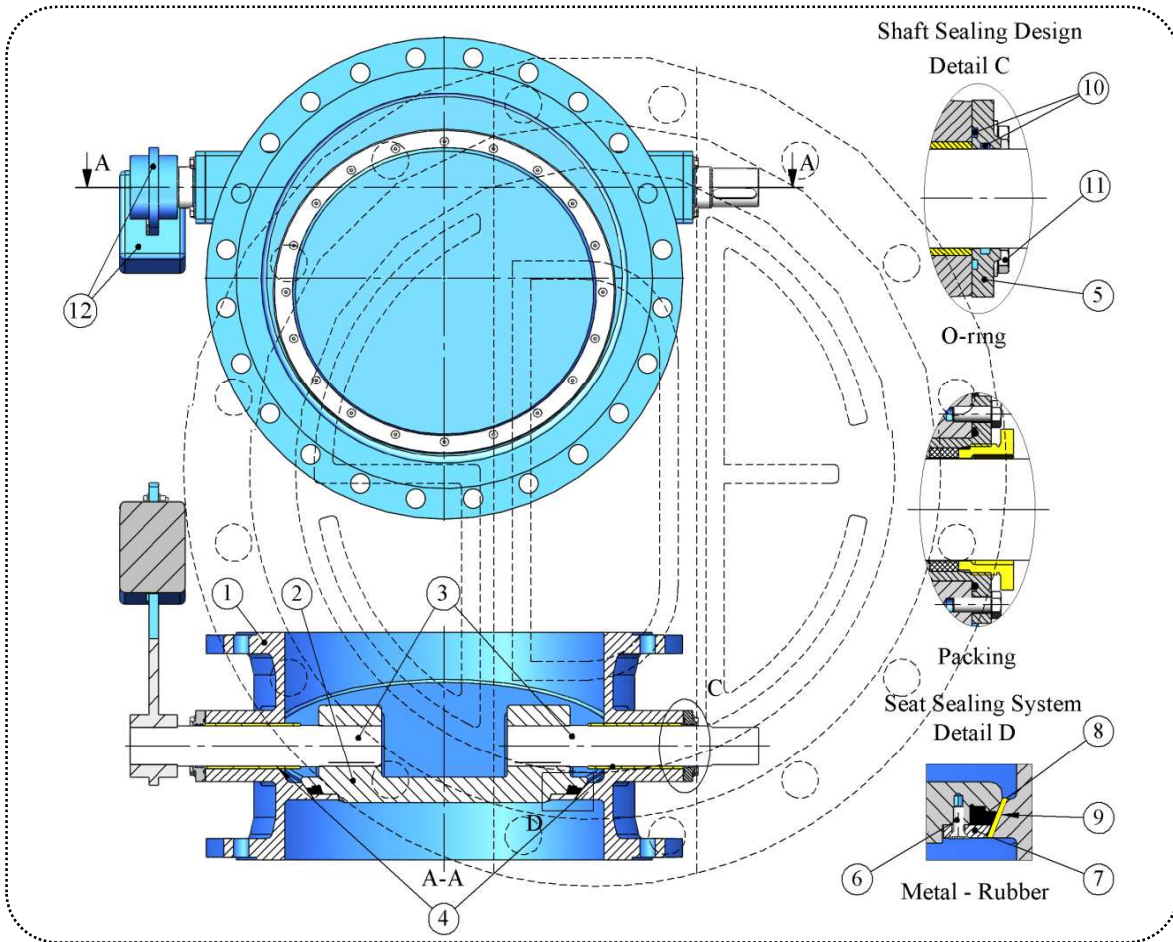
Maximum allowable working temperature for all types of our valves is 80 degrees Celcius.



DIMENSIONS

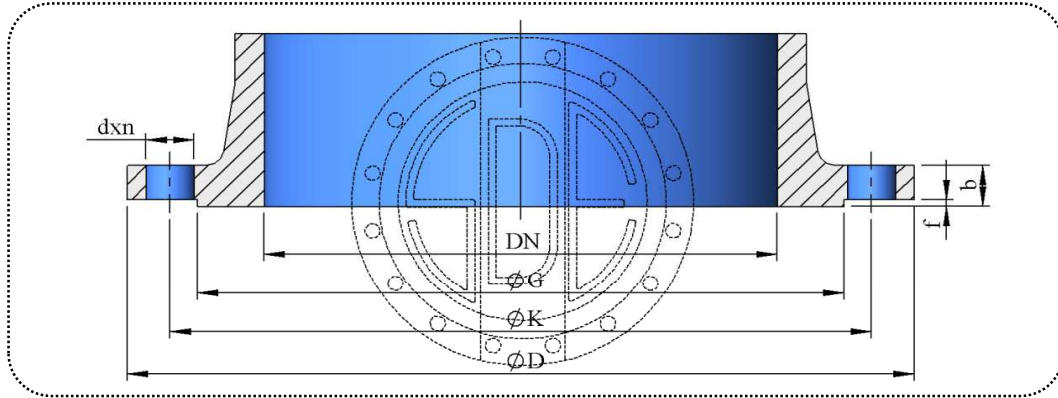
Inch	L	ANSI 125				ANSI 150			
		A	C	R	Kg	A	C	R	Kg
8	230	255	510	280	72	255	510	280	72
10	250	300	600	280	108	300	600	280	108
12	270	343	685	335	147	343	685	335	147
14	290	403	805	335	182	403	805	335	182
16	310	460	920	400	253	460	920	400	253
18	330	510	1.020	500	329	510	1.020	500	329
20	350	540	1.080	500	386	540	1.080	500	386
22	370	594	1.188	500	469	594	1.188	500	469
24	390	623	1.245	600	538	623	1.245	600	538
26	410	701	1.403	600	662	701	1.403	600	662
28	430	730	1.460	700	764	730	1.460	700	764
30	450	835	1.670	700	944	835	1.670	700	944
32	470	868	1.735	800	1.095	868	1.735	800	1.095
36	510	918	1.835	800	1.374	918	1.835	800	1.374
40	550	985	1.970	800	1.763	985	1.970	800	1.763
42	570	1.061	2.123	800	2.019	1.061	2.123	800	2.019
44	590	1.088	2.175	800	2.274	1.088	2.175	800	2.274
48	630	1.140	2.280	800	2.517	1.140	2.280	800	2.517

SLANTED TYPE CHECK VALVE



No	Item Name	Material	Description	EN Standard	Material No
1	Body	GGG 40	Ductile Iron	EN-GJS-450-15	0.7040
		GGG 50		EN-GJS-500-7	0.7050
		ST 37-2	Steel Construction	EN 10025	1.0037
2	Disc	GGG 40	Ductile Iron	EN-GJS-450-15	0.7040
		GGG 50	Ductile Iron	EN-GJS-500-7	0.7050
		304	Stainless Steel Casting	G - X6CrNi 18-9	1.4308
		316		G - X6CrNiMo 18-10	1.4408
		CC 331G-GS	Aluminium Bronze	CuAl10Fe2-C	2.0940.01
3	Shaft	420	Stainless Steel	X20Cr13	1.4021
		304		X5CrNi 18-10	1.4301
		316		X5CrNiMo17-12-2	1.4401
		431		X17CrNi16-2	1.4057
				CC 491 K	2.1096.01
4	Bearing	Rg 5	Bronze	EN-GJS-500-7	0.7050
5	Covers	GGG 50	Ductile Iron	EN-GJS-500-7	0.7050
6	Bolts of Retainer Ring	A 2 - A 4	Stainless Steel	-	-
		304	Stainless Steel	X5CrNi 18-10	1.4301
		316		X5CrNiMo17-12-2	1.4401
7	Retainer Ring	CC 331G-GS	Aluminium Bronze	CuAl10Fe2-C	2.0940.01
		NBR - EPDM	Rubber	-	-
		316 L	Stainless Steel Welding	12072	1.4430
9	Body Seat	CuAl8	Aluminium Bronze Welding	14640 S Cu 6100	2.0921
		NBR - EPDM	Rubber	-	-
10	Shaft Sealing	Packing	Non Asbestos	-	-
		Galvanized	Steel	-	-
11	Bolts of Cover	A 2 - A 4	Stainless Steel	-	-
		GGG 50	Ductile Iron	EN-GJS-500-7	0.7050
Coating		WRAS approved fusion bonded epoxy. 300 microns dft as standard.			
Maximum allowable working temperature for all types of our valves is 80 degrees Celcius.					

FLANGE DIMENSIONS



Nominal Dia	Outside Dia	Raised Face		Flange Holes			Flange Thickness	Outside Dia	Raised Face		Flange Holes			Flange Thickness
		Dia	Height	Circle Dia.	Dia	Num ber			Dia	Height	Circle Dia.	Dia	Num ber	
DN	D	G	f	K	d	n	b	D	G	f	K	d	n	b
PN 10								PN 16						
100	220	158	3	180	19	8	19	220	158	3	180	19	8	19
125	250	188	3	210	19	8	19	250	188	3	210	19	8	19
150	285	212	3	240	23	8	19	285	212	3	240	23	8	19
200	340	268	3	295	23	8	20	340	268	3	295	23	12	20
250	395	320	3	350	23	12	22	405	320	3	355	28	12	22
300	445	370	4	400	23	12	25	460	378	4	410	28	12	25
350	505	430	4	460	23	16	25	520	438	4	470	28	16	27
400	565	482	4	515	28	16	25	580	490	4	525	31	16	28
450	615	532	4	565	28	20	26	640	550	4	585	31	20	30
500	670	585	4	620	28	20	27	715	610	4	650	34	20	32
600	780	685	5	725	31	20	30	840	725	5	770	37	20	36
700	895	800	5	840	31	24	33	910	795	5	840	37	24	40
800	1.015	905	5	950	34	24	35	1.025	900	5	950	41	24	43
900	1.115	1.005	5	1.050	34	28	38	1.125	1.000	5	1.050	41	28	47
1.000	1.230	1.110	5	1.160	37	28	40	1.255	1.115	5	1.170	44	28	50
1.200	1.455	1.330	5	1.380	41	32	45	1.485	1.330	5	1.390	50	32	57
1.400	1.675	1.535	5	1.590	44	36	46	1.685	1.530	5	1.590	50	36	59
1.500	1.785	1.640	5	1.700	44	36	48	1.820	1.640	5	1.710	57	36	63
1.600	1.915	1.760	5	1.820	50	40	49	1.930	1.750	5	1.820	57	40	65
1.800	2.115	1.950	5	2.020	50	44	52	2.130	1.950	5	2.020	57	44	69
2.000	2.325	2.150	5	2.230	50	48	55	2.345	2.150	5	2.230	62	48	73
2.200	2.550	2.370	5	2.440	57	52	59	2.555	2.360	5	2.440	62	52	80
PN 25								PN 40						
100	235	162	3	190	23	8	19	235	162	3	190	23	8	19
125	270	188	3	220	28	8	19	270	188	3	220	28	8	24
150	300	218	3	250	28	8	20	300	218	3	250	28	8	26
200	360	278	3	310	28	12	22	375	285	3	320	31	12	30
250	425	335	3	370	31	12	25	450	345	3	385	34	12	35
300	485	395	4	430	31	16	28	515	410	4	450	34	16	40
350	555	450	4	490	34	16	30	580	465	4	510	37	16	44
400	620	505	4	550	37	16	32	660	535	4	585	41	16	48
450	670	548	4	600	37	20	34	685	560	4	610	41	20	50
500	730	615	4	660	37	20	37	755	615	4	670	44	20	52
600	845	720	5	770	41	20	42	890	735	5	795	50	20	58
700	960	820	5	875	44	24	47	995	840	5	900	50	24	63
800	1.085	930	5	990	50	24	51	1.140	960	5	1.030	57	24	68
900	1.185	1.030	5	1.090	50	28	56	1.250	1.070	5	1.140	57	28	73
1.000	1.320	1.140	5	1.210	57	28	60	1.360	1.180	5	1.250	57	28	80
1.200	1.530	1.360	5	1.420	57	32	69	1.575	1.385	5	1.460	62	32	88
1.400	1.755	1.570	5	1.640	62	36	74	1.795	1.600	5	1.680	62	36	98
1.500	1.865	1.680	5	1.750	62	40	75	1.910	1.700	5	1.790	70	40	102
1.600	1.975	1.790	5	1.860	62	40	81	2.025	1.815	5	1.900	70	40	108
1.800	2.195	2.000	5	2.070	70	44	88							
2.000	2.425	2.230	5	2.300	70	48	95							