

## STRAINERS



"Y" Type Strainer, Product Code: Y



Basket Type Strainer, Product Code: MB

There might be foreign materials inside the pipe line and they might damage the equipments when travelling together with flow.

These foreign materials might damage pumps, valves, check valves, flow meters and other equipments.

To prevent this problem, strainers should be used.

Strainers are a kind of filter consisting of body, cover, basket, seal, bolts and nuts.

They are used at inlet side of pipe lines, pumps, flow meters, valves, check valves and other similar equipments.

Their duty is to collect any kind of foreign material and dirt at flow.

They can be used in both sewage and clean water media as long as correct materials are selected.

Two tapped holes are ready on body at inlet and outlet sides of basket for fitting manometers.

When basket begins to fill with dirt, permeability decreases and each manometer begins to show different values.

When pressure difference reaches to top value, line is isolated and basket is taken out of body for cleaning.



Davit arm for lifting basket cover

## Installation Position,

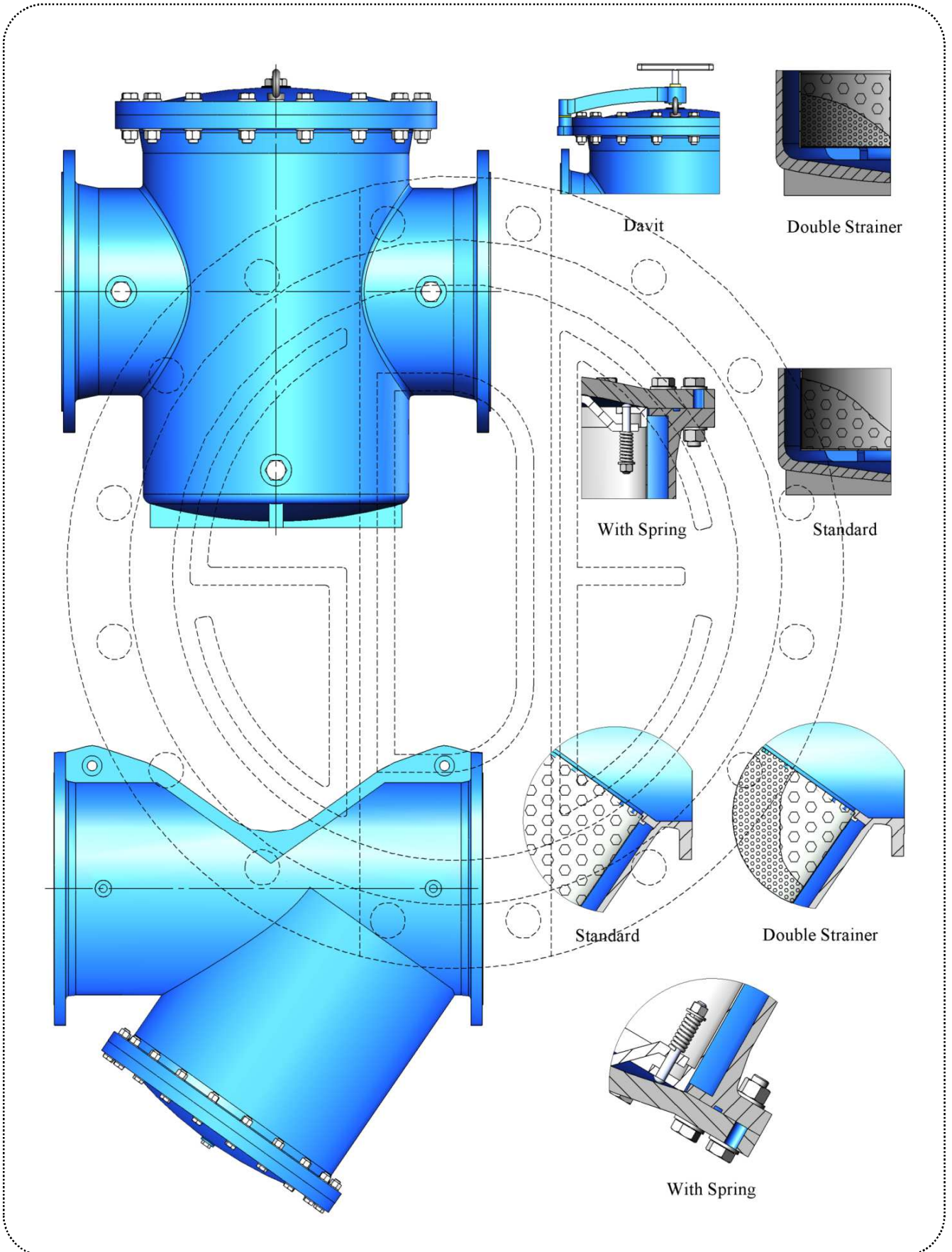
Flow should be horizontal and cover should be downside for Y type strainers where cover should be upside for basket type strainers.

On request, by means of a special draining system which is applicable for both types, cleaning of basket can be done automatically without taking it out.

## Maintenance,

No maintenance is needed for a strainer installed in a pipe line. If it is uninstalled, we recommend cleaning inside and re-painting.

ACCESSORIES OF STRAINERS

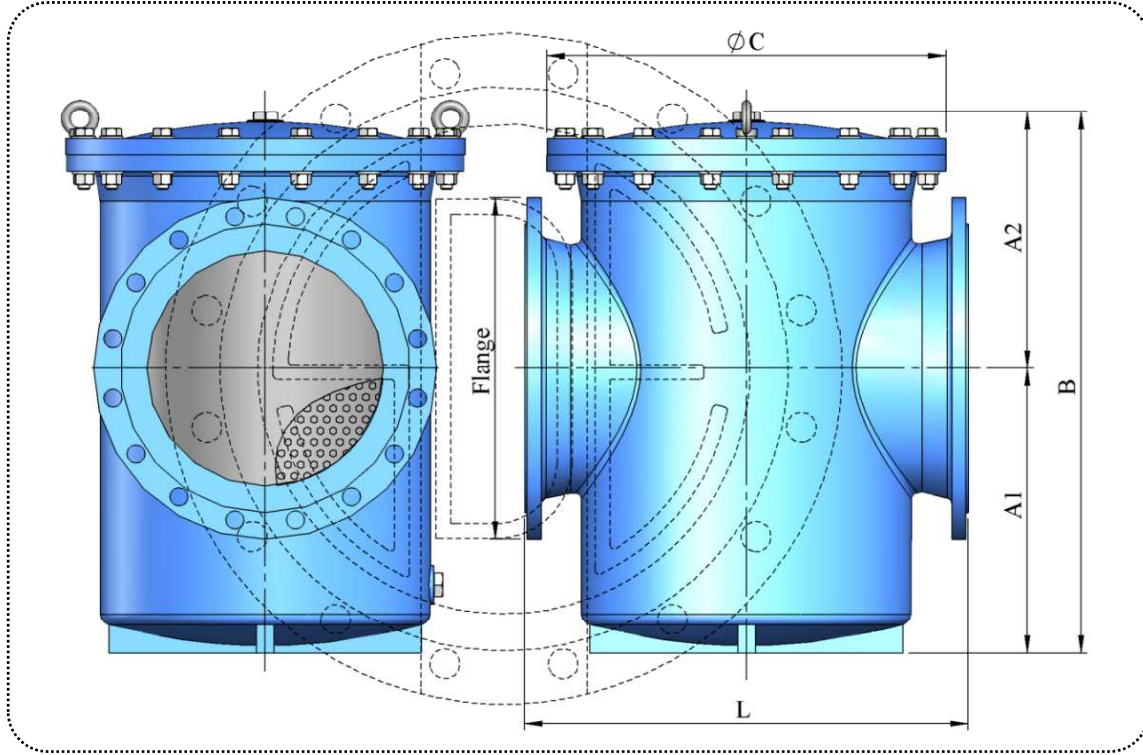


BASKET STRAINER STRAIGHT TYPE

Valve Standard : -

Body Length Standard : EN 558-1, S 48

Maximum allowable working temperature for all types of our valves is 80 degrees Celcius.

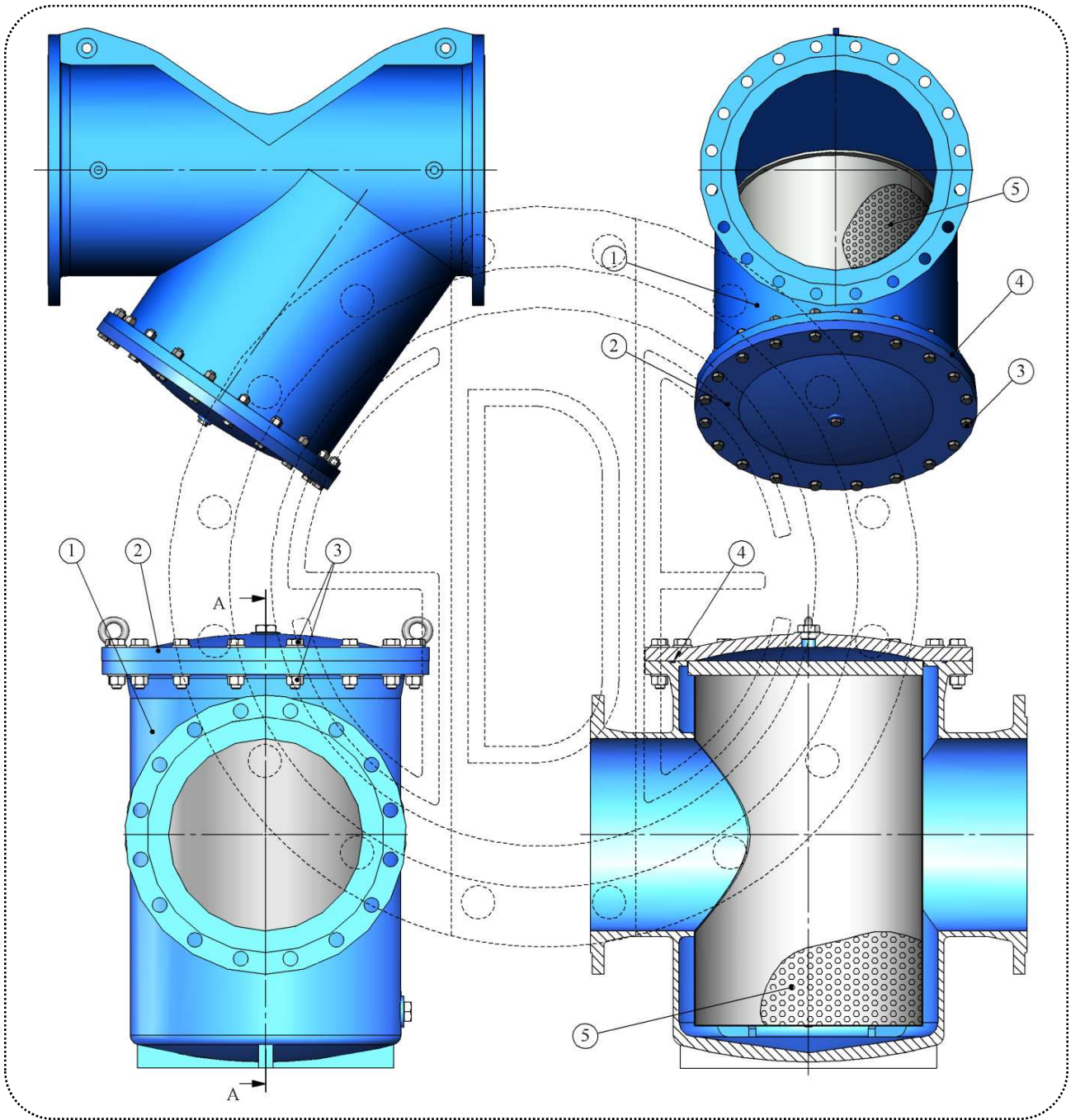


DIMENSIONS

DN	L	PN 20					PN 25					PN 40				
		A1	A2	B	C	Kg	A1	A2	B	C	Kg	A1	A2	B	C	Kg
100	300	169	202	371	278	62	169	202	371	295	62	169	202	371	295	76
125	350	198	228	425	313	87	198	228	425	336	87	198	228	425	336	109
150	400	226	253	479	353	107	226	253	479	370	107	226	253	479	370	135
200	500	283	305	588	416	166	283	305	588	439	166	283	305	588	456	213
250	600	340	356	696	479	247	340	356	696	514	247	340	356	696	543	322
300	700	397	407	804	537	360	397	407	804	583	360	397	407	804	617	472
350	800	454	459	913	606	423	454	459	913	663	423	454	459	913	692	558
400	900	511	510	1.021	675	550	511	510	1.021	738	550	511	510	1.021	784	738
450	1.000	568	561	1.129	732	692	568	561	1.129	796	692	568	561	1.129	813	905
500	1.100	625	613	1.238	796	961	625	613	1.238	865	961	625	613	1.238	893	1.255
550	1.200	682	664	1.346	859	1.136	682	664	1.346	931	1.136	682	664	1.346	971	1.486
600	1.300	739	715	1.454	922	1.283	739	715	1.454	997	1.283	739	715	1.454	1.049	1.684
650	1.400	796	766	1.562	988	1.531	796	766	1.562	1.063	1.531	796	766	1.562	1.109	1.995
700	1.500	853	818	1.671	1.054	1.782	853	818	1.671	1.129	1.782	853	818	1.671	1.169	2.309
750	1.600	910	869	1.779	1.135	2.084	910	869	1.779	1.198	2.084	910	869	1.779	1.253	2.707
800	1.700	967	920	1.887	1.192	2.370	967	920	1.887	1.273	2.370	967	920	1.887	1.336	3.078
900	1.900	1.081	1.023	2.104	1.307	3.119	1.081	1.023	2.104	1.388	3.119	1.081	1.023	2.104	1.463	4.103
1.000	2.100	1.195	1.126	2.321	1.440	4.383	1.195	1.126	2.321	1.543	4.383	1.195	1.126	2.321	1.589	5.668
1.050	2.200	1.252	1.177	2.429	1.504	4.974	1.252	1.177	2.429	1.603	4.974					
1.100	2.300	1.309	1.228	2.537	1.569	5.625	1.309	1.228	2.537	1.664	5.625					
1.200	2.500	1.423	1.331	2.754	1.698	6.909	1.423	1.331	2.754	1.785	6.909					

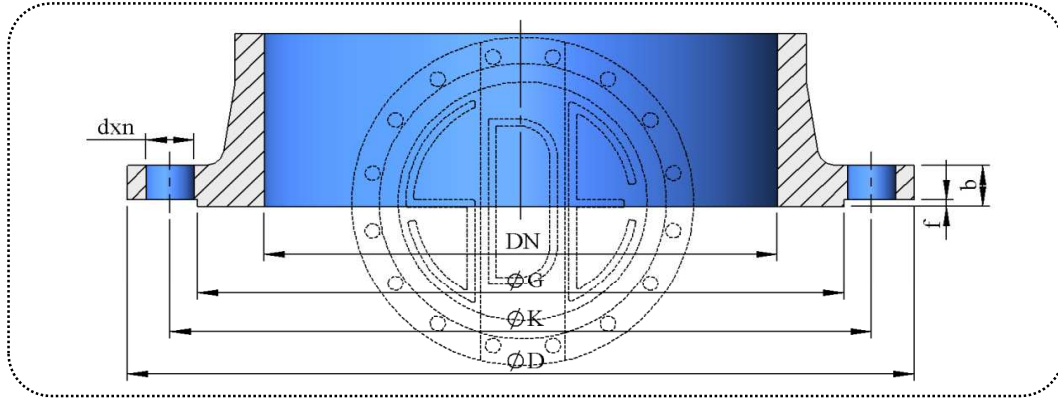


STRAINERS



No	Item Name	Material	Description	EN Standard	Material No
1-2	Body - Cover	GGG 40	Ductile Iron	EN-GJS-450-15	0.7040
		GGG 50		EN-GJS-500-7	0.7050
		ST 37-2	Steel Construction	EN 10025	1.0037
3	Bolts, Nuts Washers	Galvanized	Steel	-	-
		A 2	Stainless Steel	-	-
		A 4		-	-
4	Cover Ring	NBR	Rubber	-	-
		EPDM		-	-
5	Strainer	304	Stainless Steel	X5CrNi 18-10	1.4301
		316		X5CrNiMo17-12-2	1.4401
Coating		WRAS approved fusion bonded epoxy. 300 microns dft as standard.			
Maximum allowable working temperature for all types of our valves is 80 degrees Celcius.					

FLANGE DIMENSIONS



Nominal Dia	Outside Dia	Raised Face		Flange Holes			Flange Thickness	Outside Dia	Raised Face		Flange Holes			Flange Thickness
		Dia	Height	Circle Dia.	Dia	Num ber			Dia	Height	Circle Dia.	Dia	Num ber	
DN	D	G	f	K	d	n	b	D	G	f	K	d	n	b
PN 10								PN 16						
100	220	158	3	180	19	8	19	220	158	3	180	19	8	19
125	250	188	3	210	19	8	19	250	188	3	210	19	8	19
150	285	212	3	240	23	8	19	285	212	3	240	23	8	19
200	340	268	3	295	23	8	20	340	268	3	295	23	12	20
250	395	320	3	350	23	12	22	405	320	3	355	28	12	22
300	445	370	4	400	23	12	25	460	378	4	410	28	12	25
350	505	430	4	460	23	16	25	520	438	4	470	28	16	27
400	565	482	4	515	28	16	25	580	490	4	525	31	16	28
450	615	532	4	565	28	20	26	640	550	4	585	31	20	30
500	670	585	4	620	28	20	27	715	610	4	650	34	20	32
600	780	685	5	725	31	20	30	840	725	5	770	37	20	36
700	895	800	5	840	31	24	33	910	795	5	840	37	24	40
800	1.015	905	5	950	34	24	35	1.025	900	5	950	41	24	43
900	1.115	1.005	5	1.050	34	28	38	1.125	1.000	5	1.050	41	28	47
1.000	1.230	1.110	5	1.160	37	28	40	1.255	1.115	5	1.170	44	28	50
1.200	1.455	1.330	5	1.380	41	32	45	1.485	1.330	5	1.390	50	32	57
1.400	1.675	1.535	5	1.590	44	36	46	1.685	1.530	5	1.590	50	36	59
1.500	1.785	1.640	5	1.700	44	36	48	1.820	1.640	5	1.710	57	36	63
1.600	1.915	1.760	5	1.820	50	40	49	1.930	1.750	5	1.820	57	40	65
1.800	2.115	1.950	5	2.020	50	44	52	2.130	1.950	5	2.020	57	44	69
2.000	2.325	2.150	5	2.230	50	48	55	2.345	2.150	5	2.230	62	48	73
2.200	2.550	2.370	5	2.440	57	52	59	2.555	2.360	5	2.440	62	52	80
PN 25								PN 40						
100	235	162	3	190	23	8	19	235	162	3	190	23	8	19
125	270	188	3	220	28	8	19	270	188	3	220	28	8	24
150	300	218	3	250	28	8	20	300	218	3	250	28	8	26
200	360	278	3	310	28	12	22	375	285	3	320	31	12	30
250	425	335	3	370	31	12	25	450	345	3	385	34	12	35
300	485	395	4	430	31	16	28	515	410	4	450	34	16	40
350	555	450	4	490	34	16	30	580	465	4	510	37	16	44
400	620	505	4	550	37	16	32	660	535	4	585	41	16	48
450	670	548	4	600	37	20	34	685	560	4	610	41	20	50
500	730	615	4	660	37	20	37	755	615	4	670	44	20	52
600	845	720	5	770	41	20	42	890	735	5	795	50	20	58
700	960	820	5	875	44	24	47	995	840	5	900	50	24	63
800	1.085	930	5	990	50	24	51	1.140	960	5	1.030	57	24	68
900	1.185	1.030	5	1.090	50	28	56	1.250	1.070	5	1.140	57	28	73
1.000	1.320	1.140	5	1.210	57	28	60	1.360	1.180	5	1.250	57	28	80
1.200	1.530	1.360	5	1.420	57	32	69	1.575	1.385	5	1.460	62	32	88
1.400	1.755	1.570	5	1.640	62	36	74	1.795	1.600	5	1.680	62	36	98
1.500	1.865	1.680	5	1.750	62	40	75	1.910	1.700	5	1.790	70	40	102
1.600	1.975	1.790	5	1.860	62	40	81	2.025	1.815	5	1.900	70	40	108
1.800	2.195	2.000	5	2.070	70	44	88							
2.000	2.425	2.230	5	2.300	70	48	95							